

# Automatic

## Grain Mills

### ATG900A

#### Features

- Heavy-duty PTO with shear bolt
- High carbon steel rolls
- Fatigue proof shafts
- Maximum capacity, versatility, and transportability
- One roll turns faster to prevent plugging and increase capacity



Roll Configuration	Dry Corn	High Moisture Corn	Soybeans	Milo	Small Grains
4	900 bsh/hr	700 bsh/hr			
6.5	670 bsh/hr	520 bsh/hr	540 bsh/hr	600 bsh/hr	450 bsh/hr
8	580 bsh/hr	450 bsh/hr	480 bsh/hr	540 bsh/hr	400 bsh/hr
10	490 bsh/hr	380 bsh/hr	390 bsh/hr	390 bsh/hr	360 bsh/hr

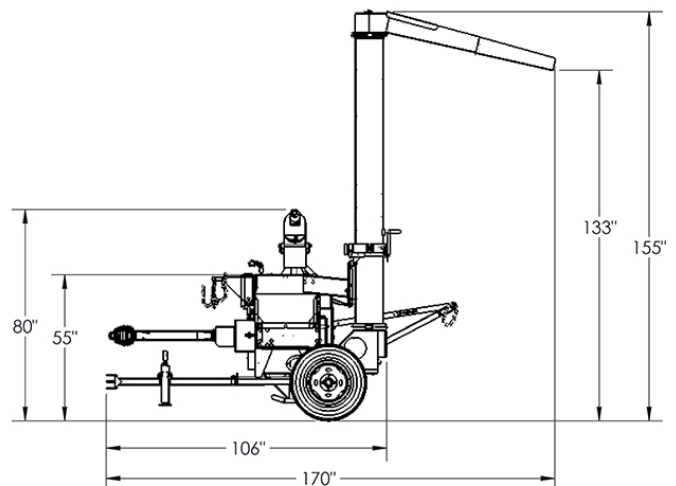
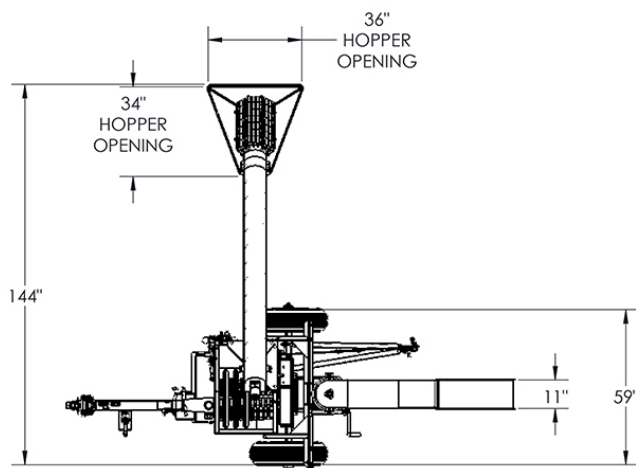
#### Specifications

Roll Size: 9"x 34"

Horsepower: 70/90

Weight: 2500/2450 lbs

PTO RPM: 540



Email: [info@automaticag.com](mailto:info@automaticag.com)  
 800-336-4336 • [automaticag.com](http://automaticag.com)