

Automatic

Grain Mills

ARM16129: 16" Cylinder, 12 blade, 9 Bar

ARM1665: 16" Cylinder, 6 blade, 5 Bar

Trailer Models Available, Cyclone Discharge Available

Features

- PTO or Electric
- High RPM cylinder set in a drum with shear bars to chop corn
- No screens - no plugging
- Control plate controls the rate of corn entering the mill
- Milled corn is blown out of the bottom of the mill to auger into a cart or mixer
- Use less feed
- Increased milk production

The Rotary Mill Will Grind:

- Dry ear corn
- Dry shell corn
- High-moisture shell corn
- Milo
- Wheat
- Soybeans

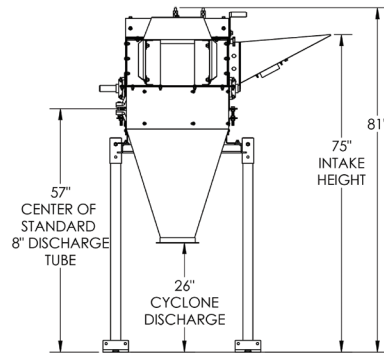
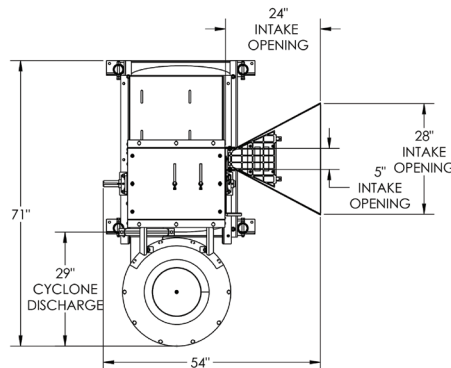


ARM1665

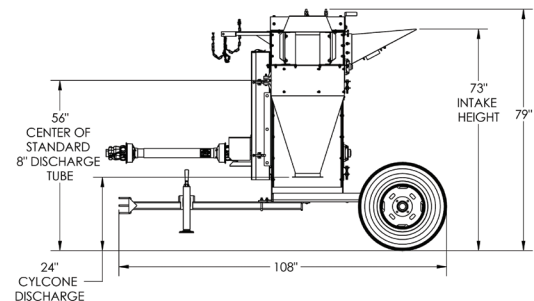
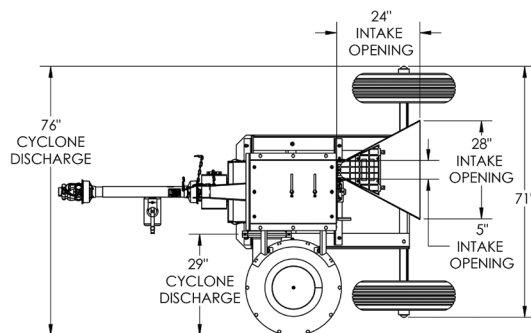


ARM1665T
with Cyclone Discharge

ARM1665



ARM1665T



Email: info@automaticag.com
800-336-4336 • automaticag.com