

Automatic

Grain Mills

ATG900A

Features

- Heavy-duty PTO with shear bolt
- High carbon steel rolls
- Fatigue proof shafts
- Maximum capacity, versatility, and transportability
- One roll turns faster to prevent plugging and increase capacity



Roll Configuration	Dry Corn	High Moisture Corn	Soybeans	Milo	Small Grains
4	900 bsh/hr	700 bsh/hr			
6.5	670 bsh/hr	520 bsh/hr	540 bsh/hr	600 bsh/hr	450 bsh/hr
8	580 bsh/hr	450 bsh/hr	480 bsh/hr	540 bsh/hr	400 bsh/hr
10	490 bsh/hr	380 bsh/hr	390 bsh/hr	390 bsh/hr	360 bsh/hr

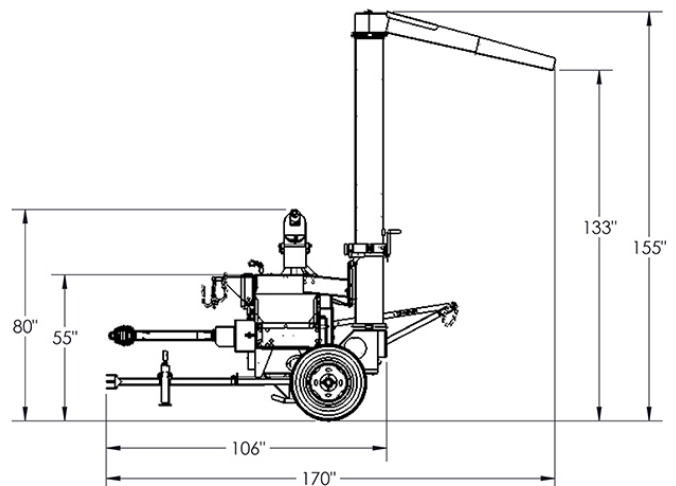
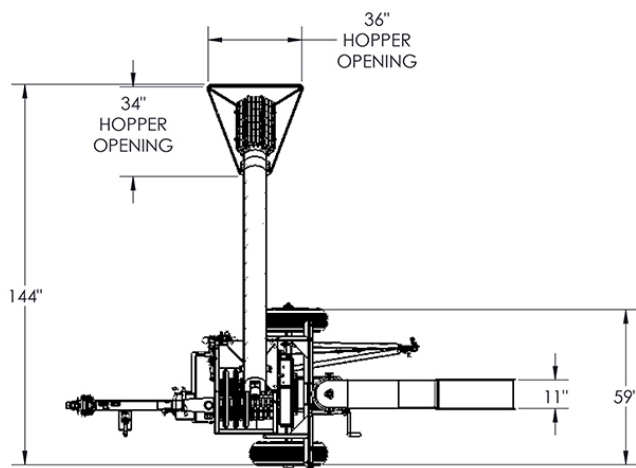
Specifications

Roll Size: 9"x 18"

Horsepower: 40/60

Weight: 1750 lbs

PTO RPM: 540



Email: info@automaticag.com
 800-336-4336 • automaticag.com